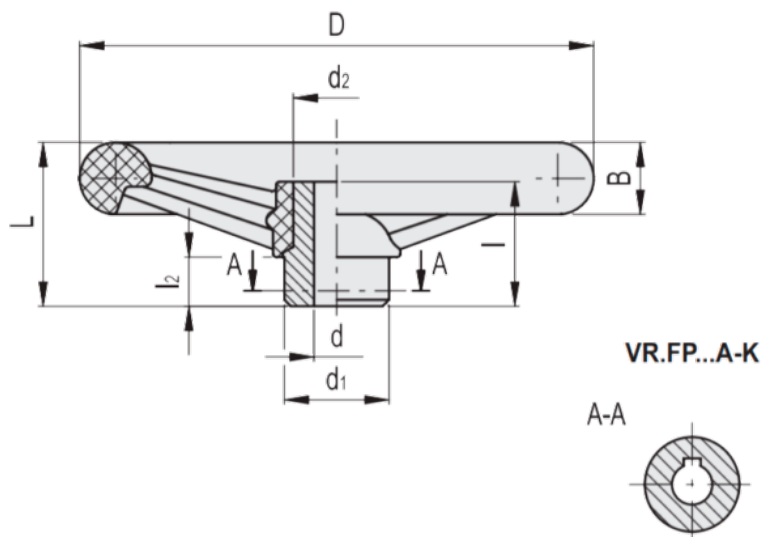


Article number: 23017761118
 Description: E+G Handwheel
 VR.200 FP-A18

Measures

VR.FP-A



| | | | |
|---------|--------|-------|--------|
| B | = 26 | l | = 43 |
| b | = 6 | L | = 57 |
| C (N*m) | = 300 | L (J) | = 16 |
| D | = 198 | l2 | = 15 |
| d1 | = d12 | t | = 24.8 |
| d2 | = 30.5 | | |
| d' | = 26 | | |
| d'\' | = 22 | | |